

# IC369 Series (Open Top)

# Thin Small Outline Package (TSOP - Type II)

## Specifications

Insulation Resistance:	1,000M $\Omega$ min. at 500V DC
Dielectric Withstanding Voltage:	700V AC for 1 minute
Contact Resistance:	30m $\Omega$ max. at 10mA / 20mV max.
Operating Temperature Range:	-40°C to +150°C
Mating Cycles:	10,000 insertions min.
Contact Force:	45g $\pm$ 15g per pin

## Materials and Finish

Housing: Polyetherimide (PEI), glass-filled  
 Contacts: Beryllium Copper (BeCu)  
 Plating: Gold over Nickel



## Part Number (Details)

IC369 - 054 2 - \*

Series No.

No. of Contact Pins

Number of Sides with Contacts

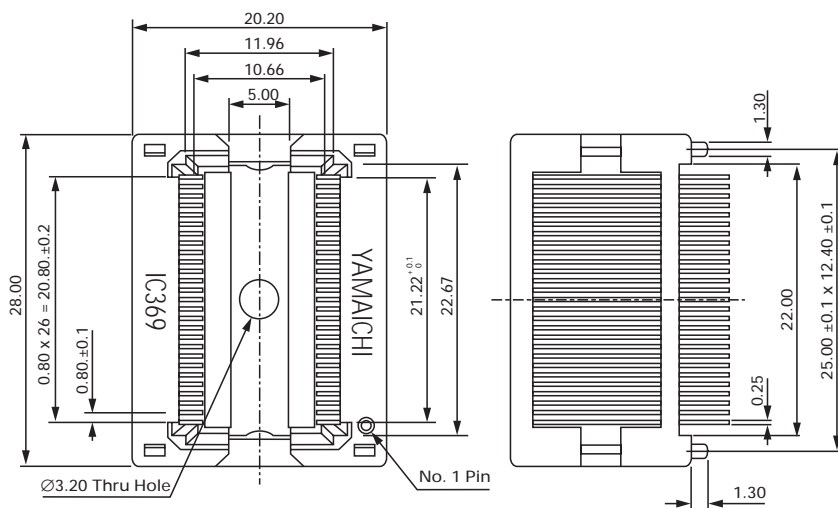
Positioning Pin:  
 N = Without Positioning Pin  
 P = With Positioning Pin

## Features

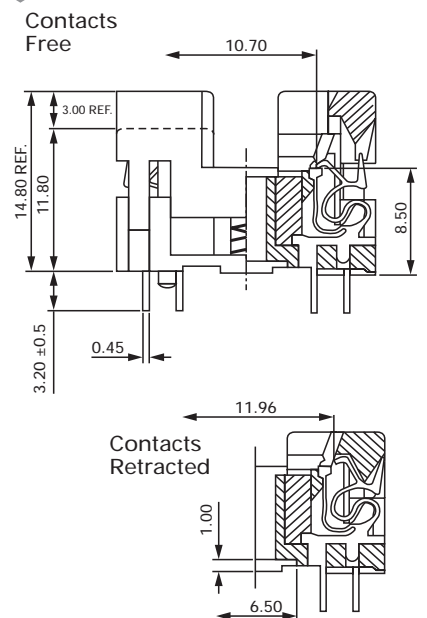
- ◇ Open Top low actuation force socket with extremely reliable 2-point contact system
- ◇ 54 pins with 0.8mm pitch (further pin counts on demand)

## Applicable Dimensions (Reference Only)

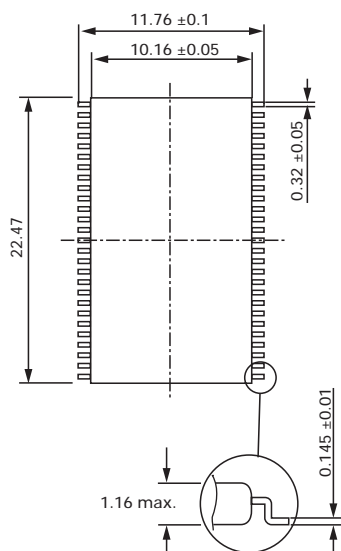
### Outline Socket Dimensions



### Contact Details



### Outline IC Dimensions



### Recommended PC Board Layout

