

Specifications

As specifications for this product differ by pitch and material-mix, please contact our Sales Department for detailed information.

Insulation Resistance: 1,000MΩ min. at 100V DC, 500V DC

Dielectric Withstanding Voltage: for 1 minute at 100V AC, 500V AC, 700V AC

Contact Resistance: 30mΩ max. at 10mA/20mV max.

Operating Temperature Range: (PEI/PSF) -40°C to +150°C

(PES) -55°C to +170°C

(PEI) -55°C to +170°C

Mating Cycles 10,000 insertions min.

Materials and Finish

Housing: Polysulphone (PSF)

Polyethersulphone (PES)

Polyetherimide (PEI)

Contacts: Beryllium Copper (BeCu)

Plating: Gold over Nickel

Part Number (example)

IC51 - 032 4 - 1498

Series No.

No. of Contact Pins

Number of Sides with Contacts

Design Number

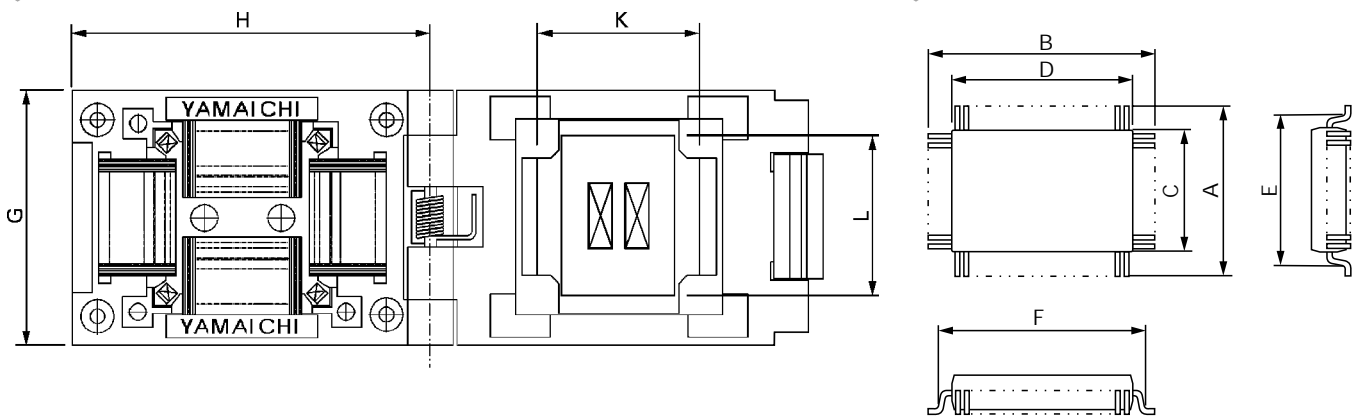
Features

High reliability, durability and temperature range
Custom made also available for high pin count and fine-pitch IC packages

Applicable Socket and IC Outline Dimensions (Reference Only)

Outline Socket Dimensions

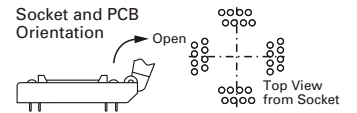
Outline IC Dimensions



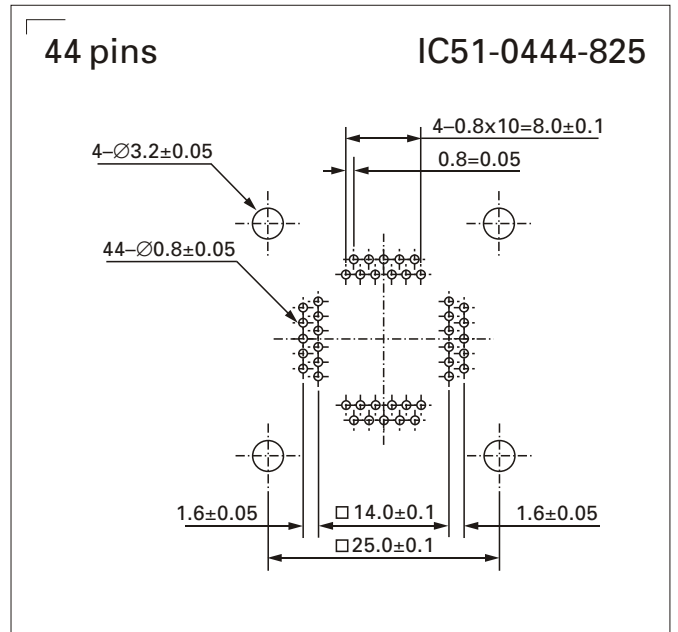
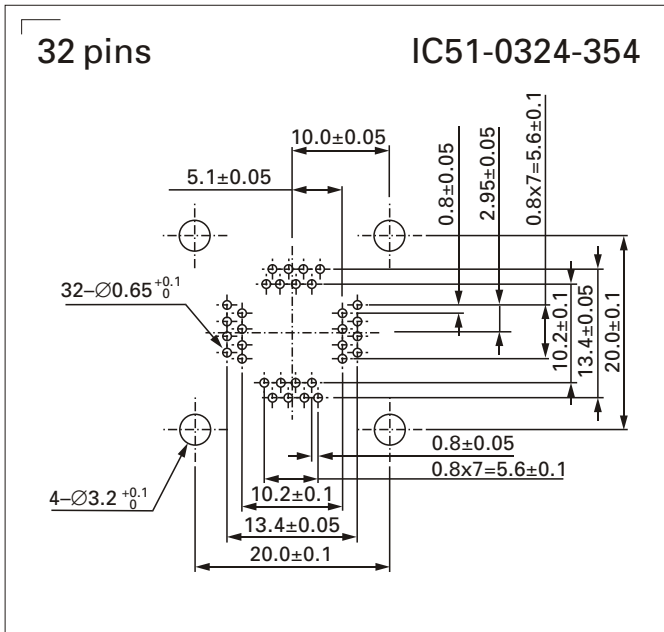
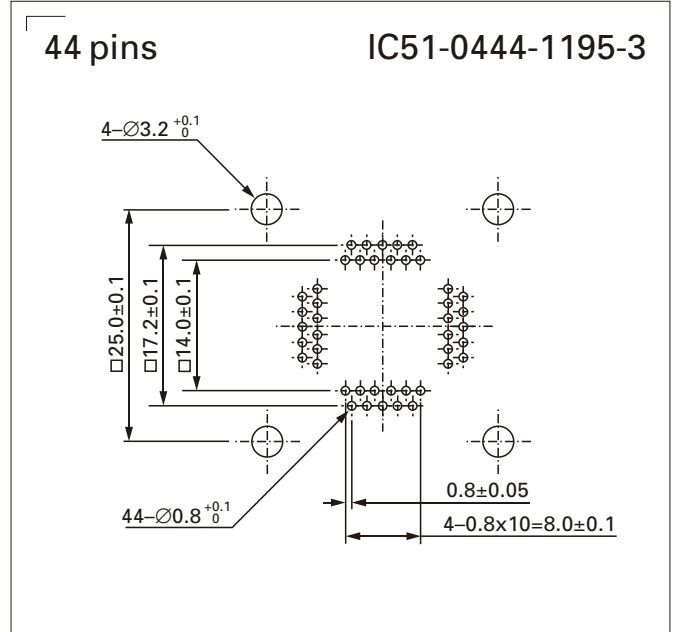
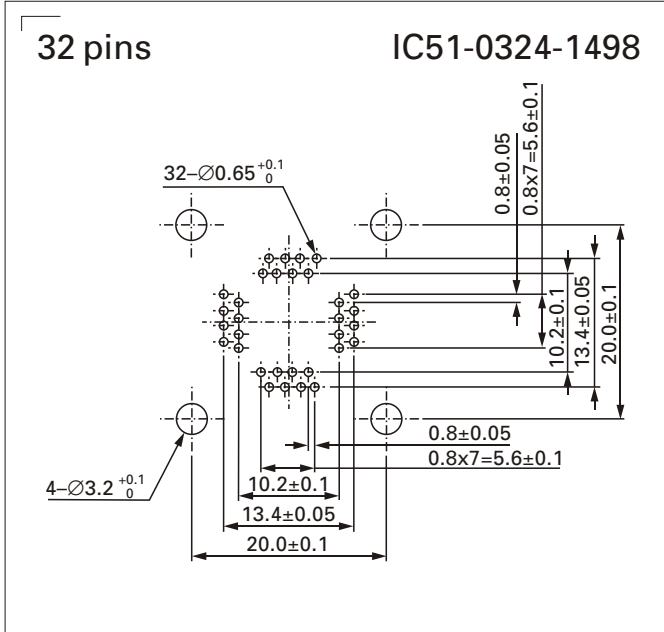
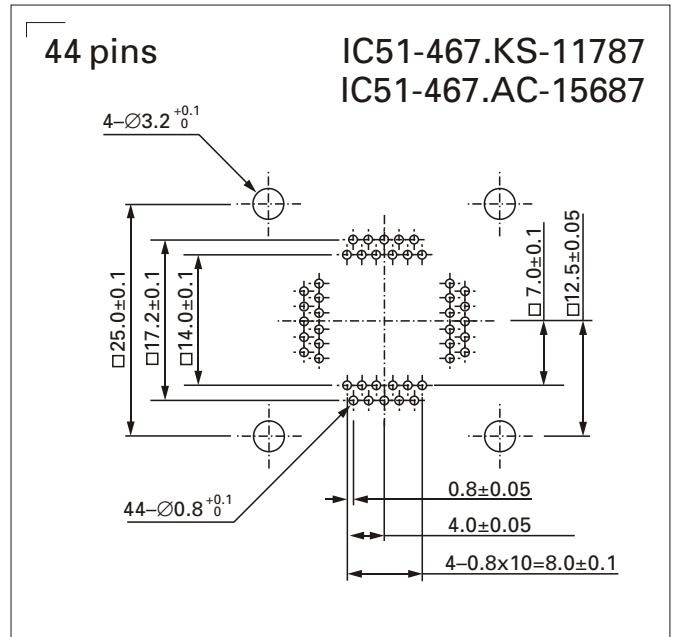
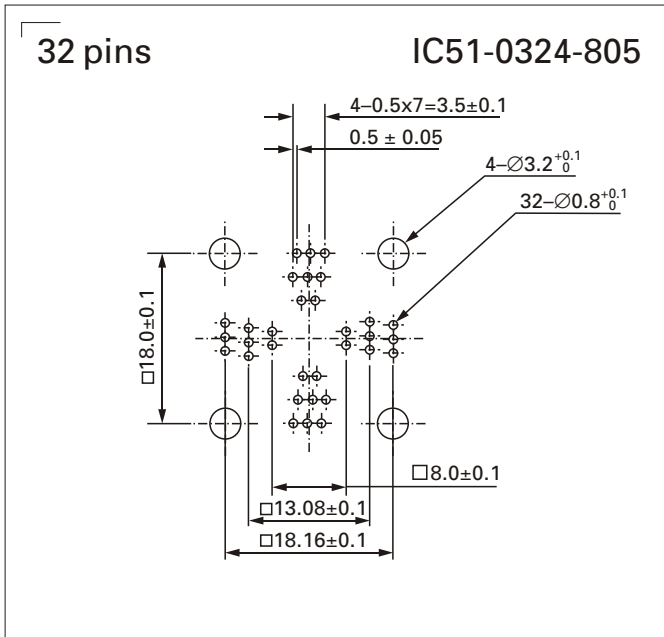
QFP, PQFP and TQFP (Reference Only)

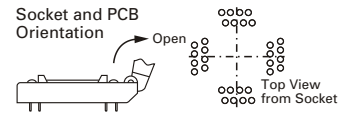
Part Number	Pin Count	Pitch	Body Size	IC Dimensions						Socket Dimensions			
				A	B	C	D	E (max.)	F (max.)	G	H	K	L
IC51-0324-805	32	0.5	5 x 5	7.0	7.0	5.0	5.0	6.2	6.2	28.0	31.0	6.3	6.3
IC51-0324-1498	32	0.8	7 x 7	9.0	9.0	7.0	7.0	8.4	8.4	30.0	35.5	8.45	8.45
IC51-0324-354	32	0.8	7.4 x 7.4	9.8	9.8	7.4	7.4	8.4	8.4	30.0	37.5	8.4	8.4
QFP11T044-001	44	0.8	10 x 10	12.0	12.0	10.0	10.0	11.3	11.3	32.0	35.0	11.3	11.3
IC51-467.AC-15687	44	0.8	10 x 10	12.0	12.0	10.2	10.2	11.6	11.6	34.0	37.5	11.6	11.6
IC51-467.KS-11787	44	0.8	10 x 10	12.0	12.0	10.1	10.1	11.5	11.5	34.0	37.5	11.6	11.6
IC51-0444-1195-3	44	0.8	10 x 10	12.6	12.6	10.0	10.0	11.5	11.5	34.0	40.0	11.6	11.6
IC51-0444-825	44	0.8	10 x 10	12.6	12.6	10.0	10.0	11.7	11.7	34.0	40.0	11.8	11.8
IC51-467.KS-11247	44	0.8	10 x 10	13.2	13.2	10.0	10.0	12.0	12.0	34.0	40.0	12.2	12.2
IC51-0444-467	44	0.8	10 x 10	13.9	13.9	10.0	10.0	11.5	11.5	34.0	40.0	11.6	11.6
IC51-0444-798	44	0.8	10 x 10	13.9	13.9	10.0	10.0	12.9	12.9	34.0	40.0	13.0	13.0
IC51-0444-615	44	1.0	14 x 14	17.2	17.2	14.0	14.0	15.8	15.8	34.0	42.5	16.0	16.0
IC51-621.KS-8966	44	1.0	14 x 14	17.9	17.9	14.0	14.0	16.5	16.5	34.0	42.5	17.0	17.0
IC51-0484-806	48	0.5	7 x 7	9.0	9.0	7.0	7.0	8.2	8.2	29.0	32.0	8.3	8.3
IC51-0484-652	48	0.65	6 x 9	7.4	8.8	6.1	8.7	7.0	8.75	34.0	34.5	8.2	11.2
IC51-0484-081	48	0.8	12 x 12	15.3	15.3	12.0	12.0	14.0	14.0	36.0	39.0	14.0	14.0
IC51-0544-517-2	54	1.0	14 x 20	19.6	25.6	14.0	20.0	16.8	22.8	34.0	42.5	17.0	23.0

.KS-xxxxx = modified base socket

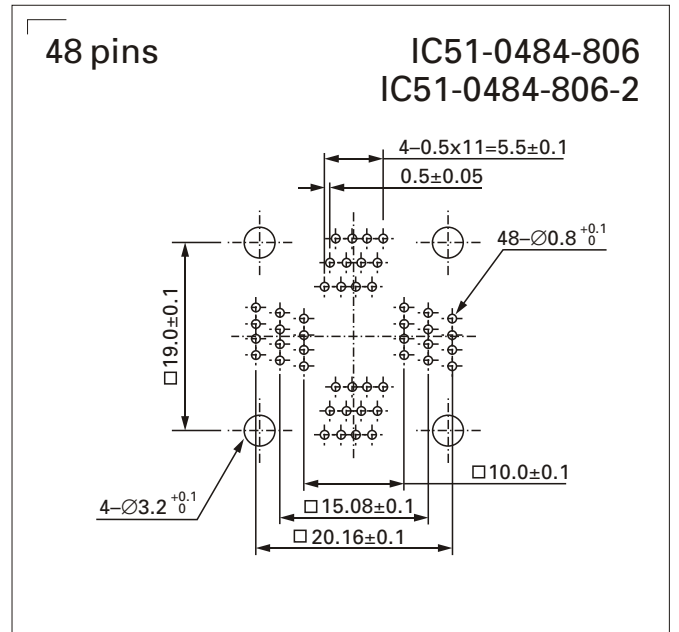
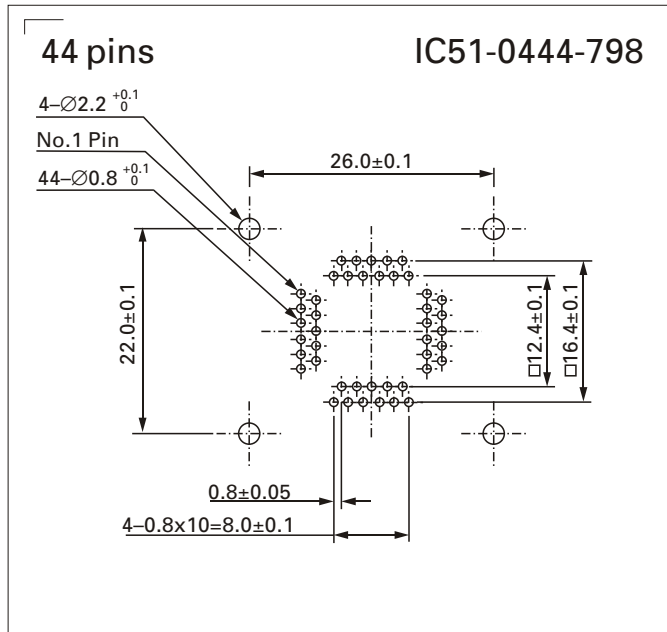
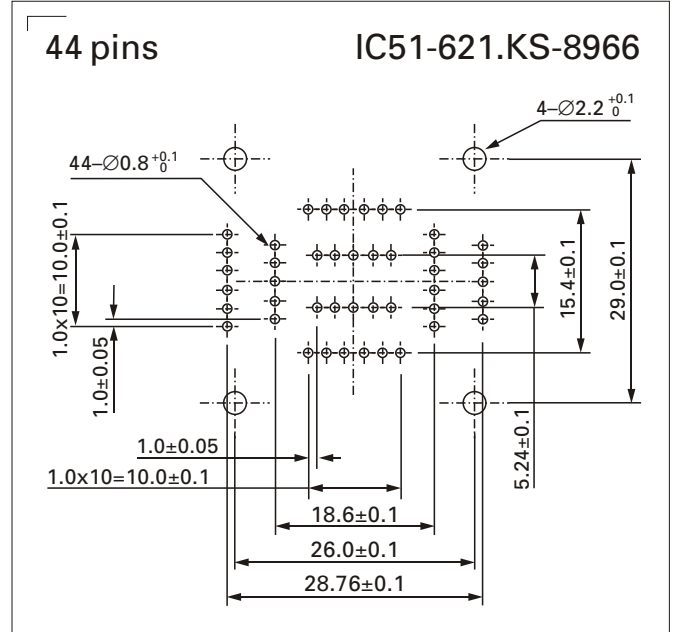
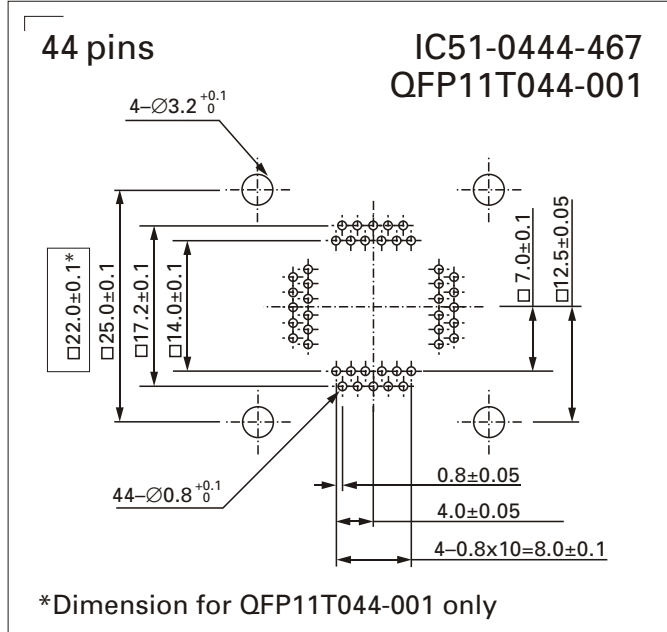
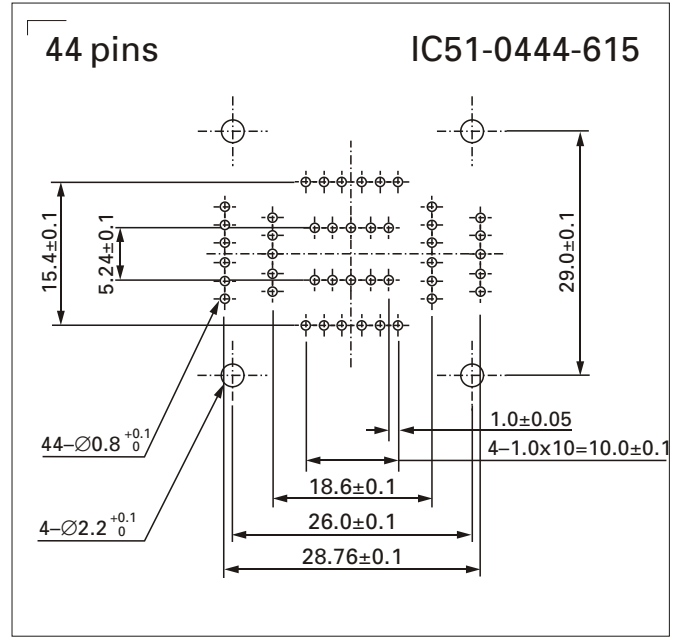
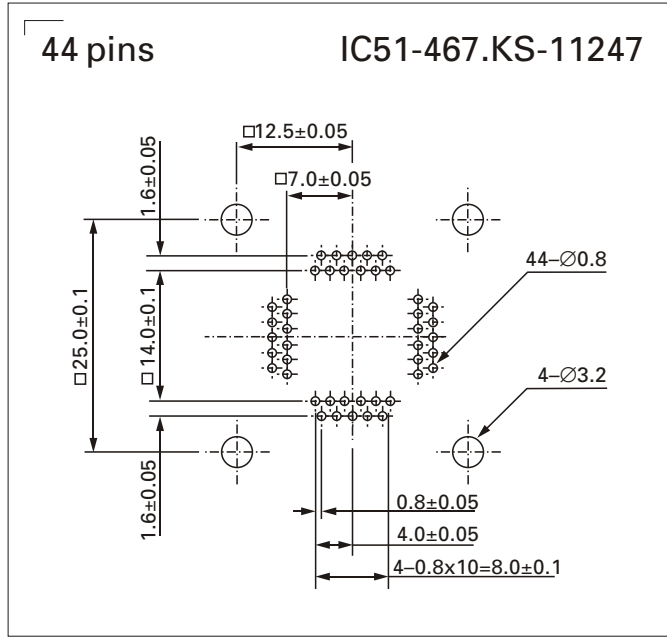


Recommended PCB Layouts





Recommended PCB Layouts



Quad Flat Packages

Recommended PCB Layouts

